



# SPECIFICATIONS

## 460SJ

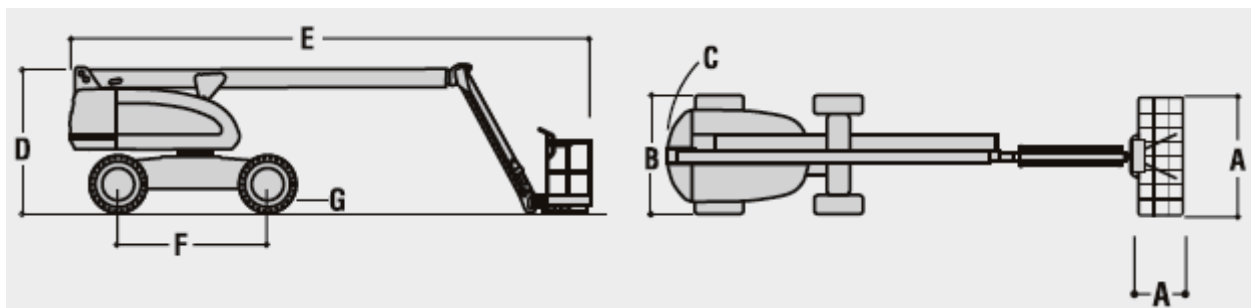
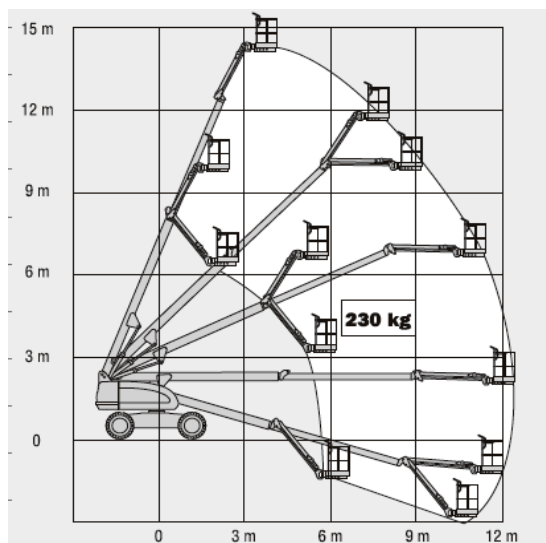
### Telescopic Boom Lift

#### Key Specs

- **Horizontal Outreach:** 41 ft / 12.5 m
- **Platform Capacity - Unrestricted:** 500 lb / 226.80 kg
- **Platform Height:** 46 ft / 14.02 m

#### Key Features

- Best-in-class gradeability and reach
- Fastest lift and drive speeds for unmatched productivity
- Low cost of ownership



#### Power Source

Auxiliary Power

12 Volts DC

Capacity - Fuel Tank

26 gal. / 98.42 L

Engine Type - Diesel

DEUTZ D2.9L Tier 4 Final 48.8 hp

Engine Type - Dual Fuel

GM Vortec 3000 MPR 82 hp



# SPECIFICATIONS

## Performance

Drive Speed - 2WD	4 mph / 7.24 km/h
Drive Speed - 4WD	4 mph / 7.24 km/h
Gradeability - 2WD	30 %
Gradeability - 4WD	45 %
Platform Capacity - Unrestricted	500 lb / 226.80 kg
Swing	360 Degrees
Swing Type	Continuous
Turning Radius - Outside	16 ft 5 in. / 5 m

## Dimensional Data

Ground Clearance	1 ft / 0.32 m
Machine Height	7 ft 10 in. / 2.39 m
Machine Length	29 ft / 8.84 m
Machine Width	7 ft 6 in. / 2.3 m
Platform Dimension A	3 ft / 0.91 m
Platform Dimension B	8 ft / 2.44 m
Platform Height	46 ft / 14.02 m
Tailswing	2 ft 10 in. / 0.86 m
Tire Size	12 x 16.5 Pnuematic

## Reach Specifications

Horizontal Jib Rotation	0 Degrees
Horizontal Outreach	41 ft / 12.5 m
Platform Height	46 ft / 14.02 m
Vertical Jib Rotation	130 Degrees

## General

Capacity - Hydraulic Reservoir	42 gal. / 158.99 L
Ground Bearing Pressure	58 psi / 4.06 Kg/cm2
Machine Weight	15850 lb / 7189.44 kg