



SPECIFICATIONS

E600JP

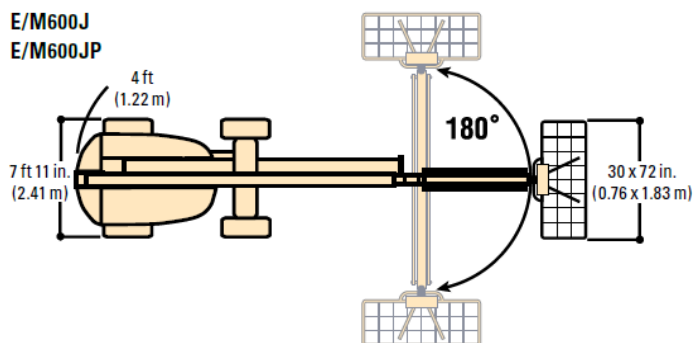
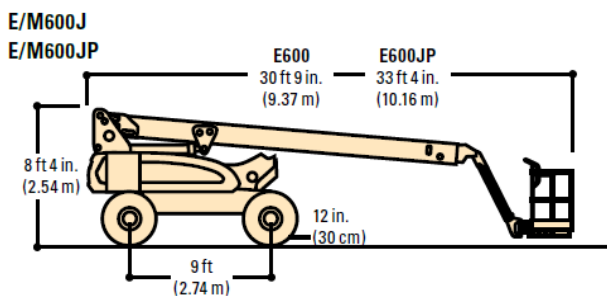
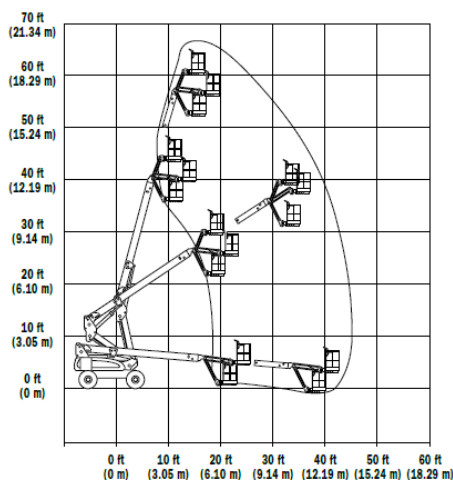
Articulating Boom Lift

Key Specs

- Machine Width: 7 ft 11 in. / 2.41 m
- Platform Capacity: 500 lb / 226.80 kg
- Platform Height: 60 ft 4 in. / 18.39 m

Key Features

- Highest electric boom in the industry
- Environmentally friendly – zero emissions, reduced noise and standard non-marking tires
- Maneuverability – move over uneven surfaces with the Automatic Traction Control option
- Productivity – work longer with longer duty cycles



Power Source

Batteries

8 x 6V, 415 amp-hr

Electrical System

48 Volts DC



SPECIFICATIONS

Performance

Drive Speed - Platform Lowered	3 mph / 4.83 km/h
Gradeability - 2WD	30 %
Gradeability - 4WD	45 %
Platform Capacity	500 lb / 226.80 kg
Swing	400 Degrees
Swing Type	Non-Continuous
Turning Radius - Outside	15 ft 4 in. / 4.67 m

Dimensional Data

Ground Clearance	1 ft / 0.3 m
Machine Height	8 ft 4 in. / 2.54 m
Machine Length	33 ft 4 in. / 10.16 m
Machine Width	7 ft 11 in. / 2.41 m
Platform Dimension A	2 ft 6 in. / 0.76 m
Platform Dimension B	6 ft / 1.83 m
Platform Height	60 ft 4 in. / 18.39 m
Tailswing	4 ft / 1.22 m
Tire Size	36 x 14-22.5 Non-marking Pnuematic
Wheelbase	9 ft / 2.74 m

Reach Specifications

Horizontal Jib Rotation	180 Degrees
Horizontal Outreach	44 ft 5 in. / 13.54 m
Platform Height	60 ft 4 in. / 18.39 m
Vertical Jib Rotation	145 Degrees

General

Capacity - Hydraulic Reservoir	15 gal. / 56.78 L
Machine Weight	15750 lb / 7144.08 kg